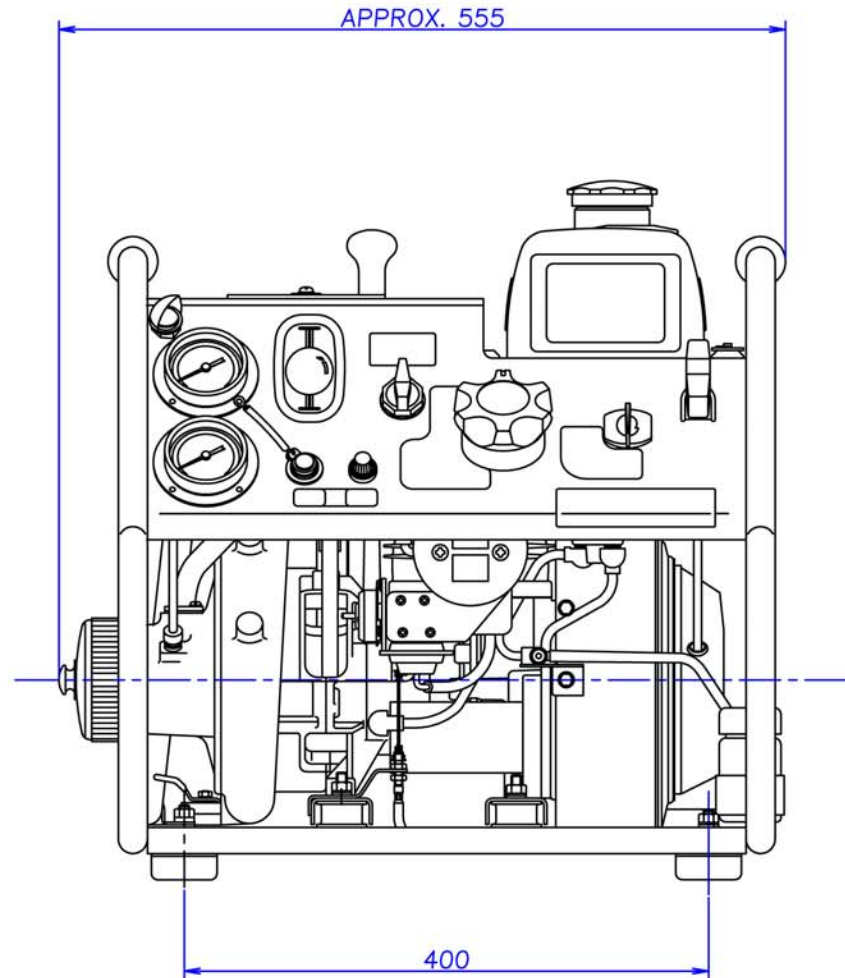
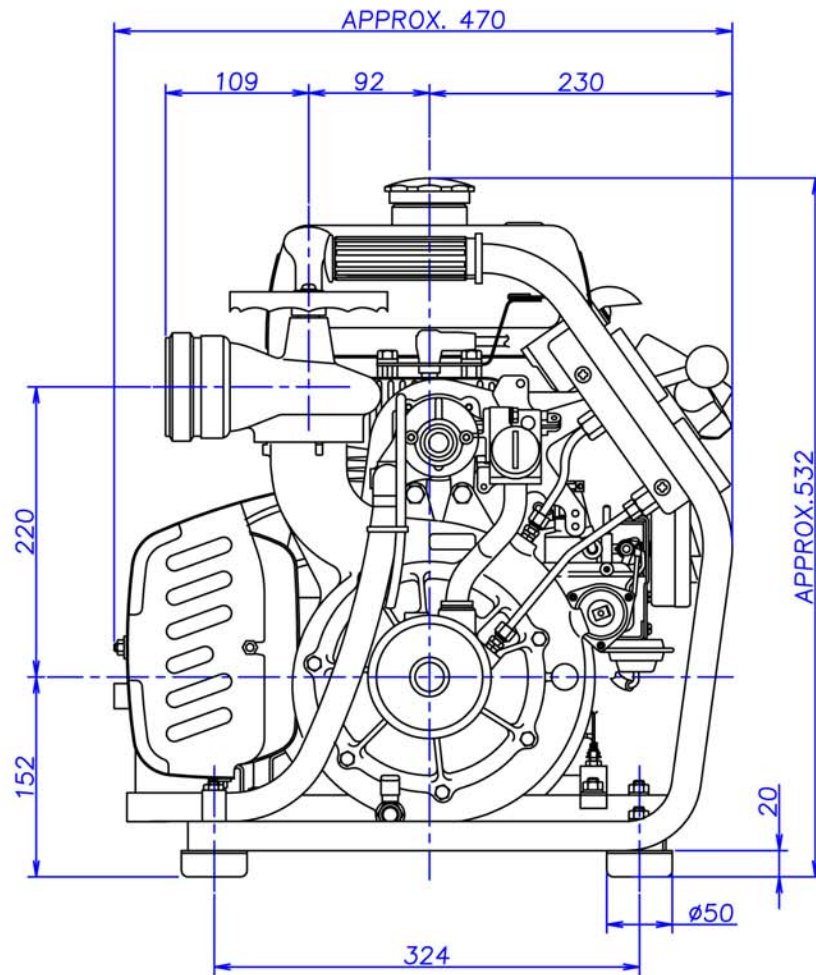


Note : Dimensions are approximative and in centimeters.



Web site : [www.tohatsu-fire-pumps.com](http://www.tohatsu-fire-pumps.com)  
 e-mail : [info@tohatsu-fire-pumps.com](mailto:info@tohatsu-fire-pumps.com)

A	Thread of Discharge Port	Dimension of Screwed Type Coupling for Fire Hose 2-1/2" (1) 2.5" BSP Male	DATE M . D . Y	MODEL	V20D2
			DEC.25.2003		
B	Thread of Suction Port	Dimension of Screwed Type Coupling for Fire Hose 2-1/2" (1) 2.5" BSP Male	PART NAME	OUTLINE DRAWING	
			PART NO.	1K7-80024-000	
			<b>TOHATSU</b>		



Note : Dimensions are approximative and in centimeters.



Web site : [www.tohatsu-fire-pumps.com](http://www.tohatsu-fire-pumps.com)  
 e-mail : [info@tohatsu-fire-pumps.com](mailto:info@tohatsu-fire-pumps.com)

A	Thread of Discharge Port	Dimension of Screwed Type Couplina for Fire Hose 2-1/2" (1) 2.5" BSP Male	DATE M . D . Y	MODEL	V20D2S
			AUG.22.2003		
B	Thread of Suction Port	Dimension of Screwed Type Couplina for Fire Hose 2-1/2" (1) 2.5" BSP Male	PART NAME	OUTLINE DRAWING	
			PART NO.	1K7-80023-000	
			<b>TOHATSU</b>		